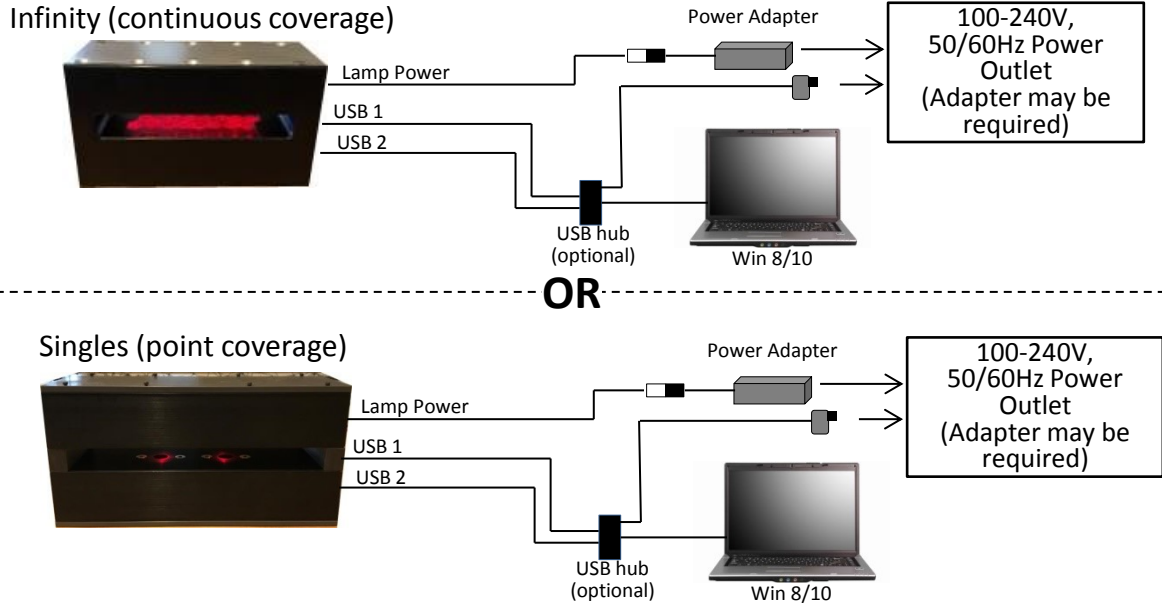


System Interconnect

1. Connect Lamp Power and USB cables as shown. The computer should sound the USB-attach tone (if sound is enabled).



Software Load

2. Visit <http://landminstruments.com/phd-downloads/> to download “L and M PHD Suite #-#-#”. The download page includes a Readme file with software usage information. This Readme file is also available for launch at the completion of the software installation.

3. Launch the installer that was downloaded above and follow the prompts. This will load the PHD Software Suite, placing the “L&M PHD” folder on the desktop.

Run Software. Ready To Go!

4. Find and open the “L&M PHD” desktop folder and run the “Pin-Hole-Detect” application.

